

B 15A / B 15A W

PRODUCT FEATURES

- Adaptive Port Design, reduces distortion and airflow noise
- Powered Subwoofer incl. DSP with 800 W peak power @ 8 Ω, 136 dB max SPL
- LCD Display, with digital encoder and push button
- 15-18 mm plywood housing
- Octopus Feet, increase slip resistance and stability
- Flexibility - smaller, lighter, scalable
- Suitable for various configurations
- Road-Ready, allows optimal packing and easy transport on euro-pallets and -trucks
- Additional Accessories: Dedicated dolly boards and padded slipcovers



SPECIFICATIONS

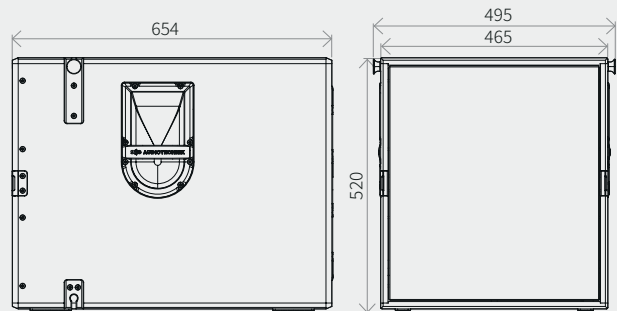
ACOUSTICAL	
Frequency range (-3 dB) ¹	39 Hz - 87 Hz
Frequency range (-10 dB) ¹	33 Hz - 113 Hz
Coverage (-6dB) [H x V]	Omnidirectional
Maximum Peak SPL ²	136 dB
System type	1-way active system
Crossover type	-
Crossover frequency	-
Transducers	1 x 15" driver
Enclosure type	Vented box
AMPLIFICATION	
Type	Single channel, class-D with SMPS
Output power	800 W
Protection	Short circuit, overheating, overcurrent
Connectors	Input signal: balanced XLR 3-pin female Link output: balanced XLR 3-pin male Power input: powerCON [®] 20A Power link output: powerCON [®] 20A
Wiring	Pin 1: Ground, Pin 2: Positive, Pin 3: Negative
Input sensitivity	+14 dBu (3.88 V), +4 dBu (1.23 V), 0 dBu (0.775 V), 0 dBV (1 V), -10 dBV (0.316 V)
DSP	48 kHz/24 bit with extended dynamics Processing latency: 1.1 ms
Processing	Factory and user presets, EQ, delay, directivity control, phase inversion, input sensitivity
User controls	Power: ON/OFF switch DSP: display with digital encoder
MECHANICAL	
Product Dimensions [H x W x D] (Including rigging)	520 x 495 x 654 mm
Net weight	34 kg
Packaging dimensions [H x W x D]	613 x 550 x 733 mm
Total weight	37.1 kg
Cabinet	15 - 18 mm plywood
Cabinet finishing	Black or white polyurea coating
Grille	Powder coated perforated steel
Hardware	2 SE AUDIOTECHNIK ergonomic handles 4 rubber feet and top slots for stacking M20 pole thread
Stacking	Two-point SE AUDIOTECHNIK stacking system
Splay angles	-

¹ Measured with MF3AP preset
² Measured with 12 dB Crest factor Pink Noise, half space

PRODUCT DESCRIPTION

General purpose, powered 15" subwoofer with a 3" voice coil, 1600 W Peak Power, 136 dB max SPL, DSP (24 bit/48 kHz) with LCD Display, digital encoder and push button.

PRODUCT DRAWING



ACCESSORIES

B 15 SFi M	Stacking frame for M-F3A PRO
B 15 SFi L 35	Stacking frame for L 35
SPS20	Pole bar
B 15 FC	Flight case
B 15 TD	Transport dolly
B 15 TC	Transport cover
P801DL RC	Amplifier rain cover

FREQUENCY RESPONSE CURVE

