

M-F3A PRO / M-F3AW PRO

PRODUCT FEATURES

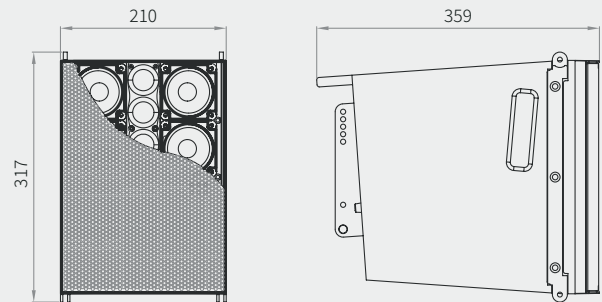
- Ultra-compact active 2-way line array element, with A4-sized baffle
- 8 x 2.8" neodymium mid frequency drivers
- 7 x 1" direct radiation dome tweeters (hornless design)
- 2 x 300 W power amplifier
- High resolution DSP
- Rigging materials included



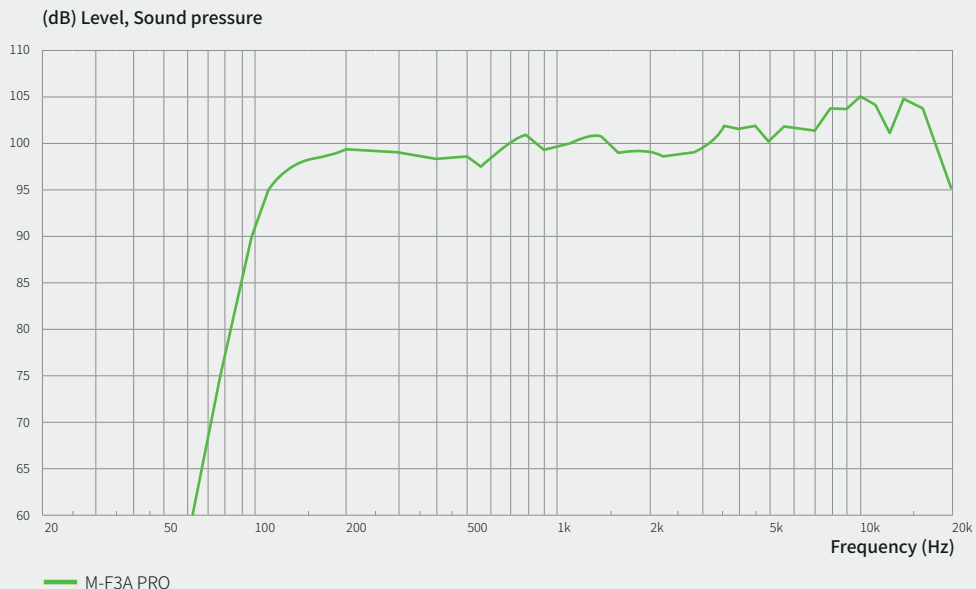
PRODUCT DESCRIPTION

The unique M-F3A PRO Hybrid Vertical Array is the new flagship from SE AUDIOTECHNIK®. Combining the functionality of a traditional 2-way line array element with the discreet aesthetics of a powered column speaker, the result is a remarkable sound from an ultra-compact package. Behind the A4-sized baffle are 8 high-efficiency 2.8" neodymium mid-frequency drivers and 7 1" direct radiation dome tweeters. Power and processing are handled by the on-board 2 x 300 W amplifier and versatile DSP. The M-F3A PRO's Powered Hornless Design (PHD) ensures studio-quality highs and punchy mids to deliver crystal-clear sound and high-impact energy into any space.

PRODUCT DRAWING

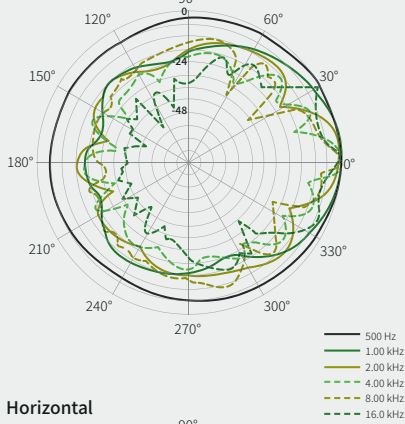


FREQUENCY RESPONSE CURVE

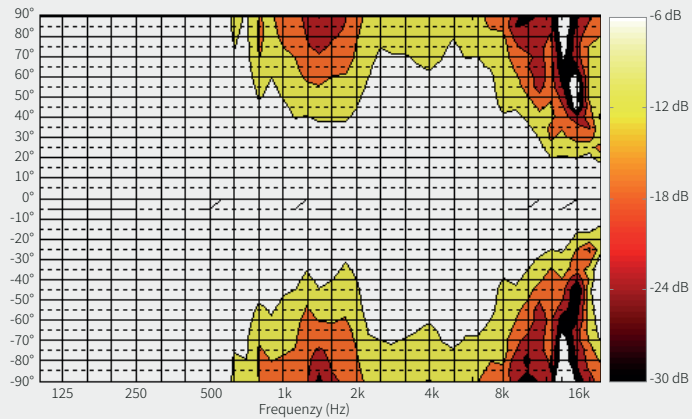
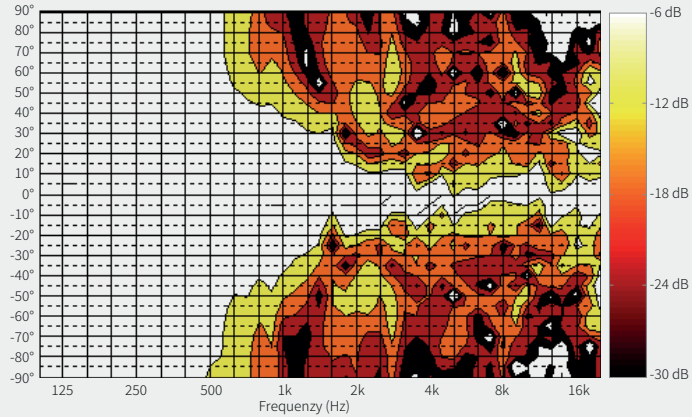
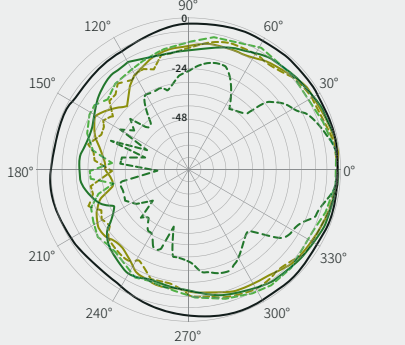


POLAR PLOT

Vertical



Horizontal



SPECIFICATIONS

ELECTRO-ACOUSTICAL

Frequency range (-6 dB)	110 Hz - 18 kHz
Maximum Peak SPL*	129 dB
Coverage (H x V)	120° - 16°
Enclosure	Vented box
Transducers	MF: 8 x 2.8" drivers with neodymium magnet and cooling module, 0.75" voice coil HF: 7 x 1" dome tweeters with neodymium magnet and cooling module, 1" voice coil

AMPLIFICATION

Connectors	Input signal: balanced XLR 3-pin female Link output: balanced XLR 3-pin male Power input: powerCON® 20A Power link output: powerCON® 20A
Input sensitivity	0 dBu
Type	2 channel, class-D with SMPS
Total power	600 W
Power	MF: 300 W / HF: 300 W
Protection	Short circuit, overheating, overcurrent
Cooling	12 cm x 12 cm heat sink
DSP	48 kHz/24-bit with extended dynamics Processing latency: 1.1 ms
Processing Control	EQ, multi-band limiting Power: ON/OFF switch Level: 8-position rotary knob (-50, -20, -10, -6, -3, -2, -1, 0) Line units: 8-position rotary knob (1 - 8+)

MECHANICAL

Splay angles	0°, 1°, 2°, 3°, 4°, 6°, 8°
Rigging	3-point rigging with 6 mm SE AUDIOTECHNIK® locking pins
Cabinet	12 mm plywood, black or white polyurea coating
Dimensions [H x W x D] (including rigging)	265 x 317 x 359 mm
Weight	8.3 kg
Hardware	Rear handle in 12 mm plywood, plus two side grips, embedded in cabinet

* Measured with 12 dB Crest factor Pink Noise, whole space

ACCESSORIES

M-F3A UB	U Bracket of M-F3A + PRO
M-F3A FC	Flight Case for M-F3A
M-F3A S12 PRO FC	Flight Case for M-F3A S12 PRO
M-F3A FS BF	Bumper Frame Of M-F3A FS
M-F3A FS BFW	Bumper Frame Of M-F3A FSW
M-F3A FA 34	M-F3A 3-to-4 point adapter
M-F3A FA 34 W	M-F3A 3-to-4 point adapter white
M-F3A SFI S12	Stacking Frame for M-F3A S12 PRO
M-F3AW SFI S12	Stacking Frame for M-F3A S12 PRO white
SPS20 M20	Speaker Box Pole Support

SPECIAL ATTENTION

Safety hint	Please always refer to User manual
Available versions	M-F3A PRO = black; M-F3AW PRO = white
Content of package	Owner manual, M-F3A Pro, power cable; powerCON® patch connector
Packaging dimensions	440 x 290 x 388 mm
Packaging weight	9.6 kg