

S15 PRO



PRODUCT FEATURES

- 15" active bass reflex subwoofer
- 800 W peak class-D power amp
- DSP with LCD Display 48 kHz, 24-bit processor
- DSP Presets for cardioid and end-fire setups with M-F3A PRO
- Two-point SE stacking system
- Available in black and white

SPECIFICATIONS

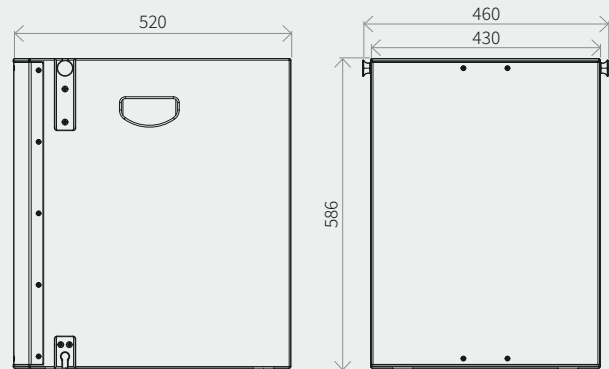
| ELECTRO-ACOUSTICAL | |
|--|---|
| Low cut-off frequency (-6 dB) | 40 Hz |
| Maximum Peak SPL* | 136 dB |
| Coverage | Omnidirectional |
| Enclosure | Vented box |
| Transducers | 1 x 15" driver with ferrite magnet and 3" voice coil |
| AMPLIFICATION | |
| Connectors | Input signal: balanced XLR 3-pin female Link output: balanced XLR 3-pin male Power input: powerCON® 20A Power link output: powerCON® 20A |
| Input sensitivity | 0 dBu |
| Type | 2 channel, class-D with SMPS |
| Power | 800 W |
| Protection | Short circuit, overheating, overcurrent |
| Cooling | 16 cm x 23 cm heat sink |
| DSP | 48 kHz/24-bit with extended dynamics Processing latency: 1.1 ms |
| Processing | Factory and user presetsEQ, delay, phase inversion |
| Control | Power: ON/OFF switch DSP: display with digital encoder |
| MECHANICAL | |
| Stacking | Two-point SE AUDIOTECHNIK stacking system |
| Cabinet | 15 mm plywood, black or white polyurea coating |
| Dimensions [H x W x D] (including rigging) | 586 x 460 x 520 mm |
| Weight | 32 kg |
| Hardware | Two side grips embedded in cabinet, 4 rubber feet and top slots for stacking, M20 pole thread |

* Measured with 12 dB Crest factor Pink Noise, whole space / half space

PRODUCT DESCRIPTION

Single 15" Subwoofer in a bass reflex housing with 800 W class-D amplifier with DSP and LCD display, factory presets for M-F3A PRO, cardioid and endfire arrays, and free configuration. Protection from short circuit, over-heating and over-current. Two-point rigging system.

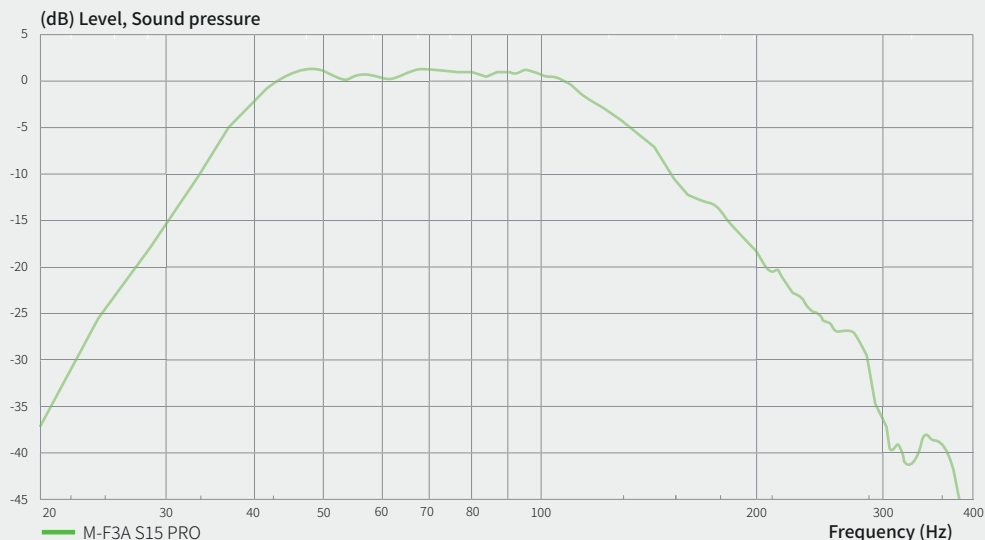
PRODUCT DRAWING



ACCESSORIES

| | |
|-------------------|------------------------------|
| M-F3A S15 PRO SFi | Ground stacking frame |
| SPS20 | Speaker Box Pole Support M20 |

FREQUENCY RESPONSE CURVE



Version 2022/08